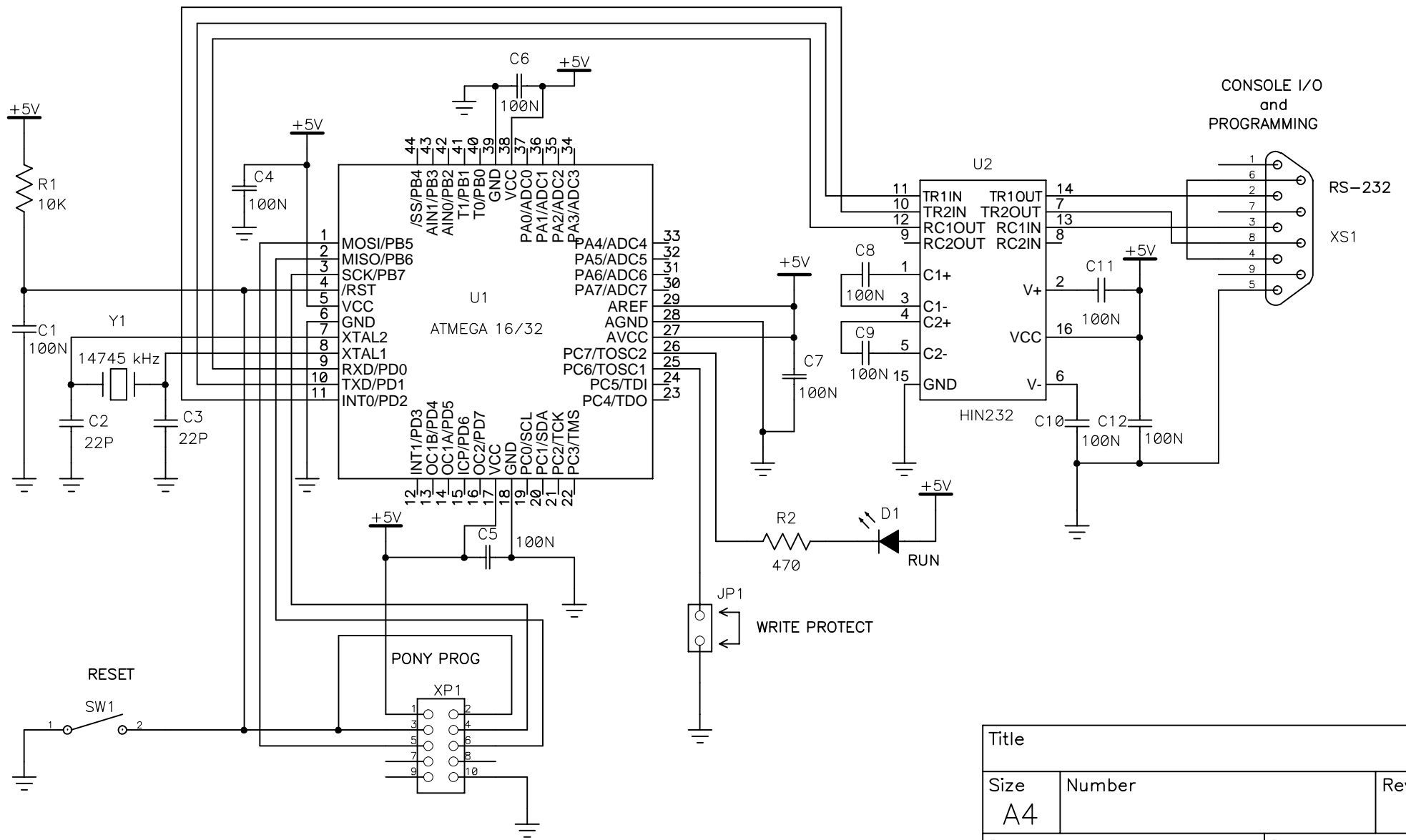


# BASINT HOUSING IN ATMEGA 16/32



Title		
Size	Number	Rev
A4		
Date	Drawn by	
Filename	Sheet of	